

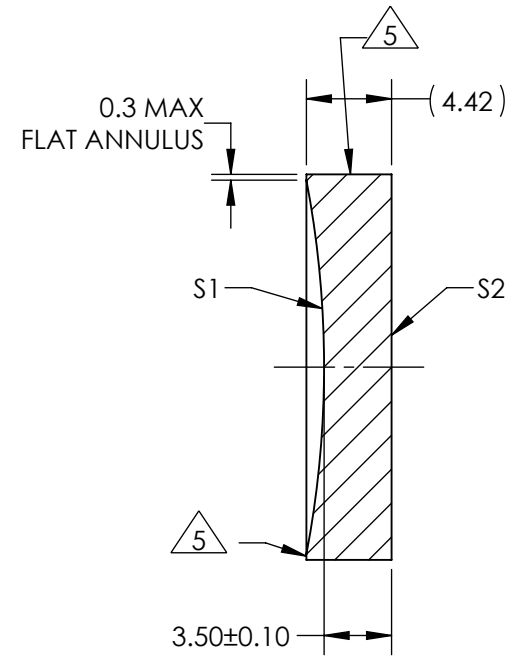
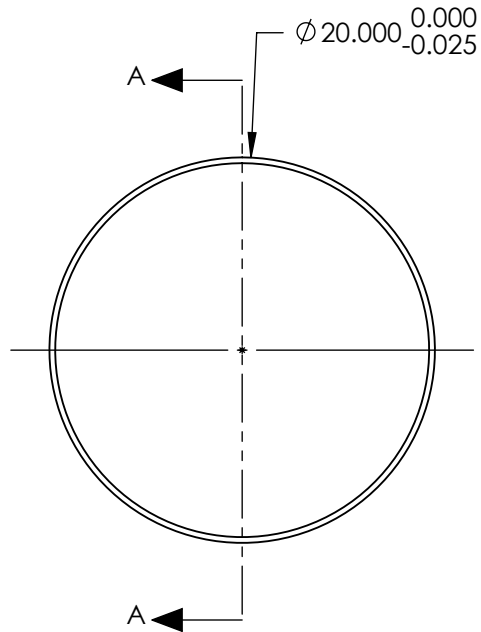
NOTES:

1. SUBSTRATE:  
N-BK7 517/642
2. ROHS COMPLIANT
3. CENTERING TOLERANCE (AT 587.6nm):  
BEAM DEVIATION (HALF ANGLE): <1 ARCMIN
4. COATING (APPLY ACROSS COATING APERTURE)

S1 & S2: YAG-BBAR  
 R(ABS) < 0.25% @ 532nm @ 0° AOI  
 R(ABS) < 0.25% @ 1064nm @ 0° AOI  
 R(AVG) < 1.0% FROM 500-1100nm @ 0° AOI

 FINE GRIND SURFACE

6. POWER, IRREGULARITY, AND SURFACE QUALITY SPECIFICATIONS APPLY ACROSS CLEAR APERTURE
7. FOCAL LENGTH (EFL): -100.00mm±1%  
BACK FOCAL LENGTH (BFL): -102.35mm
8. PROTECTIVE BEVEL AS NEEDED
9. DESIGN WAVELENGTH: 587.6nm



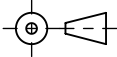
SECTION A-A

**FOR INFORMATION ONLY:  
DO NOT MANUFACTURE  
PARTS TO THIS DRAWING**

	S1	S2
SHAPE	CONCAVE	PLANO
RADIUS	51.68	INFINITY
SURFACE QUALITY	40 - 20	40 - 20
MIN CLEAR APERTURE	∅ 19.00	∅ 19.00
MIN COATING APERTURE	N/A	N/A
POWER AT 632.8nm	3.00 RINGS	3.00 RINGS
IRREGULARITY AT 632.8nm	0.50 RINGS	0.50 RINGS

SPECIFICATIONS SUBJECT TO CHANGE WITHOUT NOTICE  
 DIMENSIONS ARE FOR REFERENCE ONLY

 **Edmund Optics®**

THIRD ANGLE PROJECTION 

ALL DIMS IN mm

TITLE	20mm Dia x -100mm FL, YAG-BBAR Coated, Plano-Concave Lens	
DWG NO	21335	SHEET 1 OF 1