

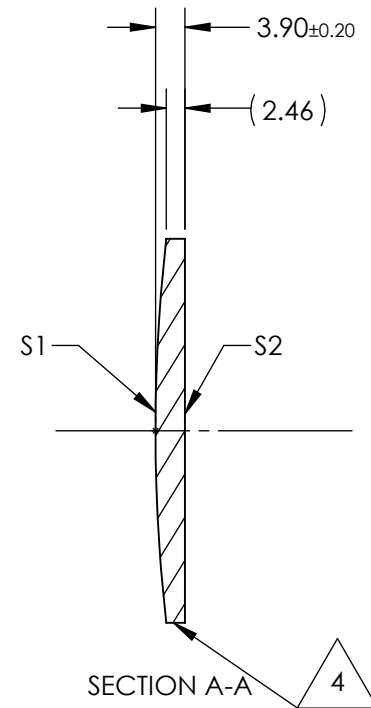
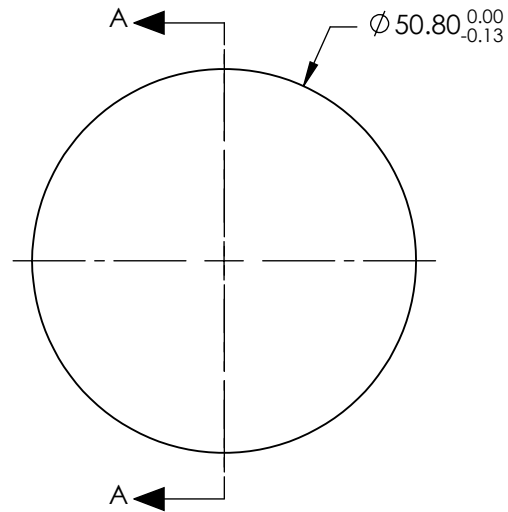
NOTES:

1. SUBSTRATE:
Barium Fluoride (BaF2)
2. CENTERING TOLERANCE:
<3 ARCMIN
3. COATING (APPLY ACROSS CLEAR APERTURE)
S1 & S2: NONE

4. FINE GRIND SURFACE

5. FOCAL LENGTH TOLERANCE: ±2%

6. ROHS COMPLIANT



**FOR INFORMATION ONLY:
DO NOT MANUFACTURE
PARTS TO THIS DRAWING**

SPECIFICATIONS SUBJECT TO CHANGE WITHOUT NOTICE
DIMENSIONS ARE FOR REFERENCE ONLY

	S1	S2
SHAPE	CONVEX	PLANO
RADIUS	224.9	INFINITY
IRREGULARITY AT 632.8nm	λ	λ
SURFACE QUALITY	60-40	60-40
CLEAR APERTURE	$\varnothing 45.72$	$\varnothing 45.72$
BEVEL	PROTECTED AS NEEDED	PROTECTED AS NEEDED

EFL @ 5 μ m	500.0
BFL @ 5 μ m	495.96
THIRD ANGLE PROJECTION	
ALL DIMS IN	mm

Edmund Optics®

TITLE 50.8mm Dia. x 500mm FL, Uncoated, ISP
Optics Barium Fluoride (BaF2) PCX Lens

DWG NO 24759

SHEET
1 OF 1