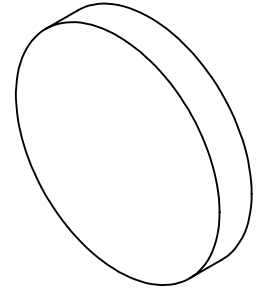


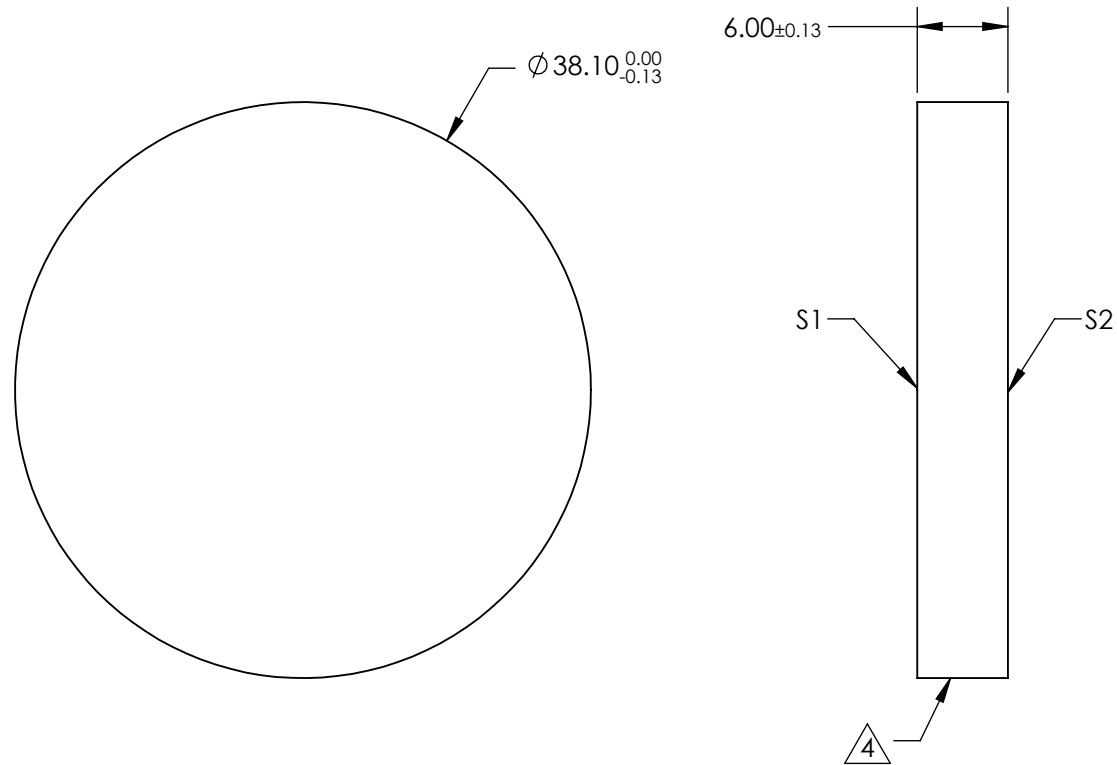
NOTES:

1. SUBSTRATE:
Calcium Fluoride (CaF₂), IR Grade
2. PARALLELISM:
SURFACE S2 TO BE PARALLEL WITH SURFACE S1 TO <3 ARCMIN
3. COATING:
S1 & S2: NONE



4. FINE GRIND SURFACE

5. ROHS COMPLIANT



**FOR INFORMATION ONLY:
DO NOT MANUFACTURE
PARTS TO THIS DRAWING**

SPECIFICATIONS SUBJECT TO CHANGE WITHOUT NOTICE
DIMENSIONS ARE FOR REFERENCE ONLY

	S1	S2
SHAPE	PLANO	PLANO
SURFACE QUALITY	40-20	40-20
SURFACE FLATNESS	2λ	2λ
CLEAR APERTURE	Ø32.38	Ø32.38
BEVEL	PROTECTED AS NEEDED	PROTECTED AS NEEDED

THIRD ANGLE PROJECTION

ALL DIMS IN mm

EO® Edmund Optics®

TITLE

38.1mm Dia., 6mm Thick, Uncoated, ISP
Optics Calcium Fluoride (CaF₂) Window

DWG NO

24525

SHEET
38 OF 175