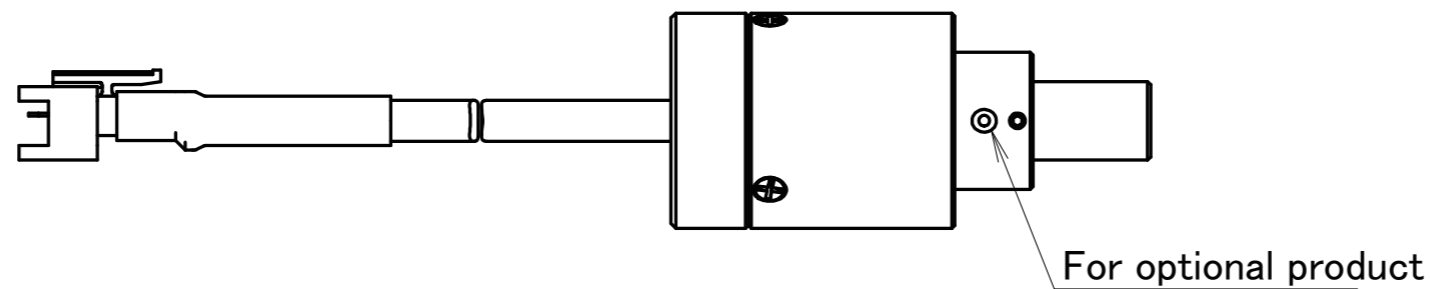
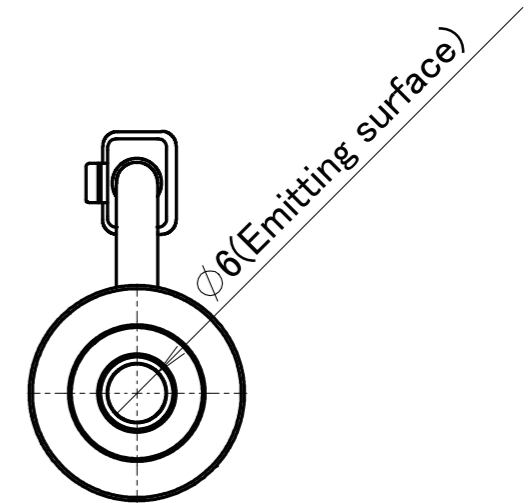
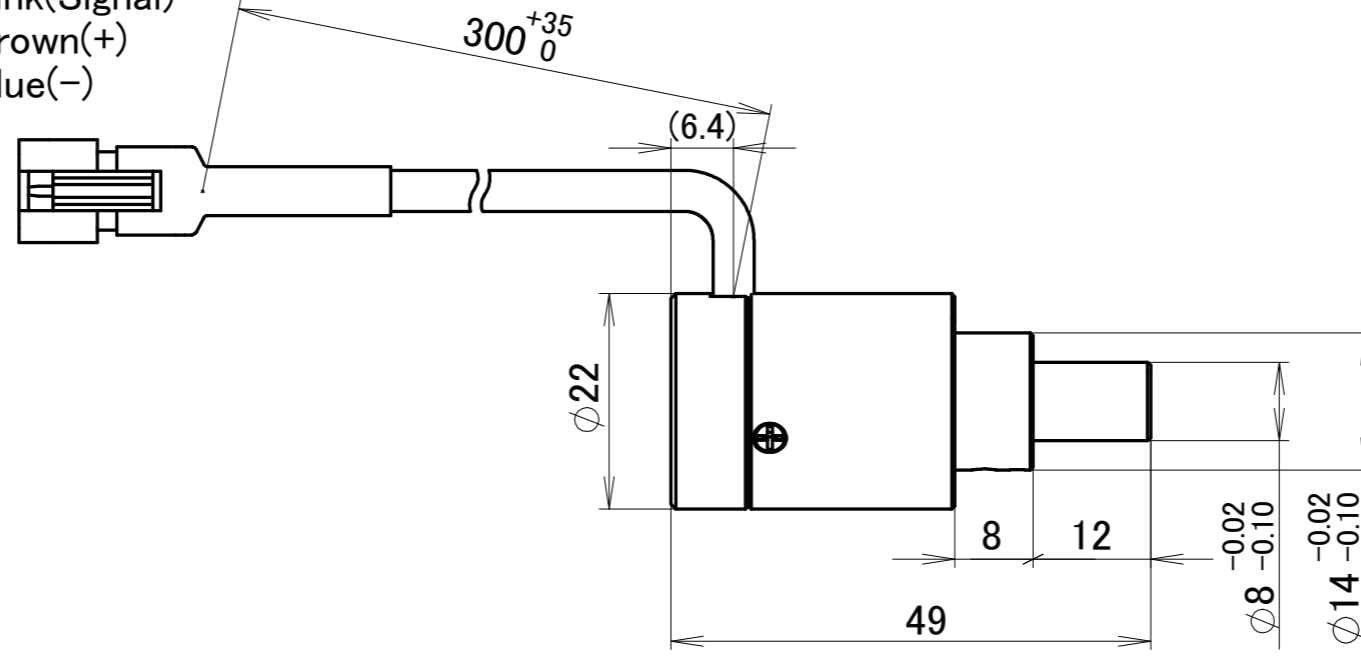
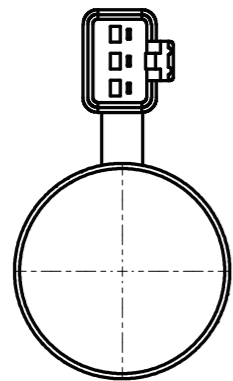


# HLV3-22□□-1C

(□□ = RD, SW, BL, GR)

SMR-03V-B

- ①: Pink(Signal)
- ②: Brown(+)
- ③: Blue(-)



| Model        | Input Current | Power Consumption |
|--------------|---------------|-------------------|
| HLV3-22SW-1C | 0.385A max.   | 1.3W max.         |
| HLV3-22RD-1C | 0.385A max.   | 1.1W max.         |
| HLV3-22BL-1C | 0.385A max.   | 1.4W max.         |
| HLV3-22GR-1C | 0.385A max.   | 1.4W max.         |