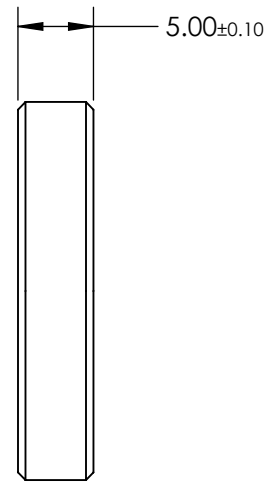
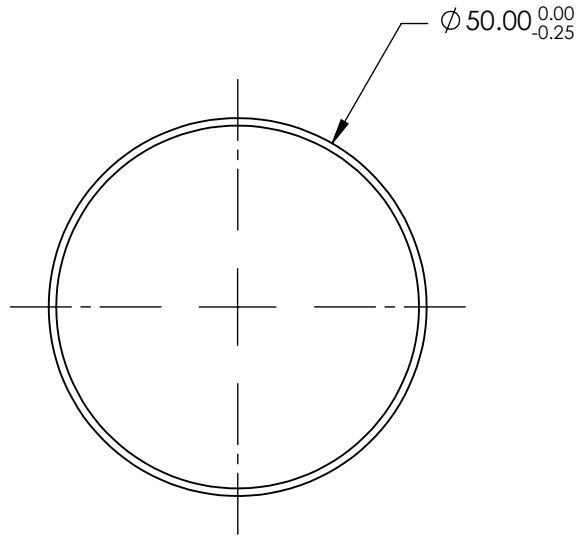
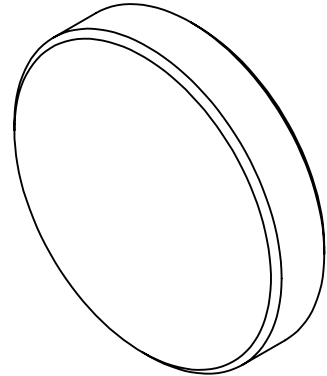
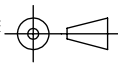


FOR INFORMATION ONLY:
DO NOT MANUFACTURE
PARTS TO THIS DRAWING



SPECIFICATIONS SUBJECT TO CHANGE WITHOUT NOTICE
 DIMENSIONS ARE FOR REFERENCE ONLY

	VALUE
SHAPE	PLANO
CENTER WAVELENGTH (nm)	900
FULL WIDTH HALF MAX (FWHM) (nm)	300
MINIMUM TRANSMISSION (%)	>70
TRANSMITTED WAVEFRONT, RMS	$\lambda/4$
PARALLELISM (arcsec)	30 or better

THIRD ANGLE PROJECTION 

ALL DIMS IN mm

 **Edmund Optics**®

TITLE Filter Bandpass Kron/Cousins-I 50mm

DWG NO 21113

SHEET 1 OF 1