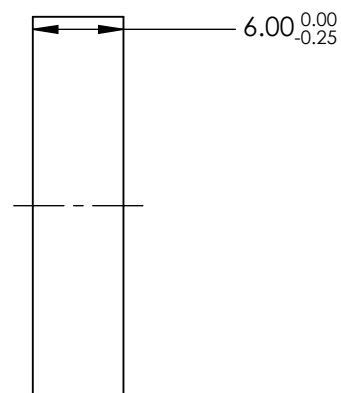
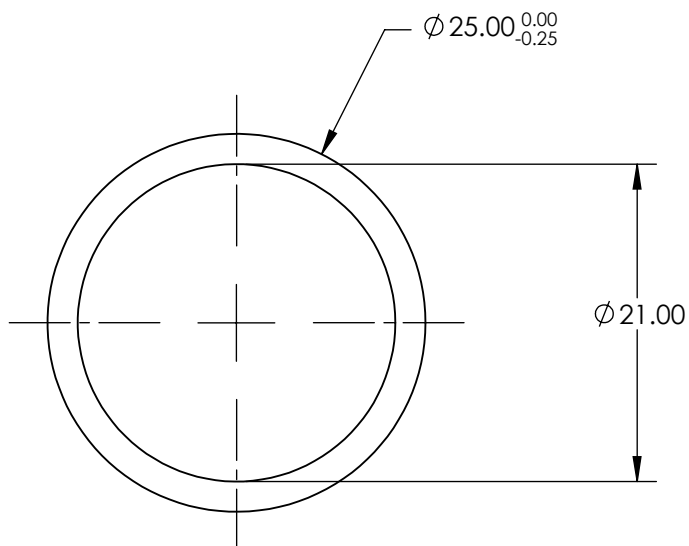
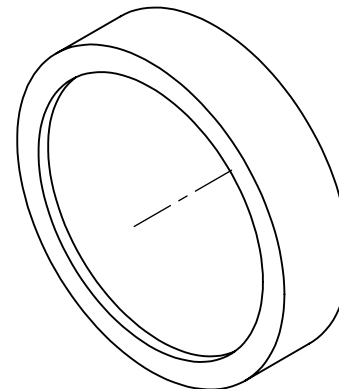


**FOR INFORMATION ONLY:  
DO NOT MANUFACTURE  
PARTS TO THIS DRAWING**



SPECIFICATIONS SUBJECT TO CHANGE WITHOUT NOTICE  
DIMENSIONS ARE FOR REFERENCE ONLY

	VALUE
CENTER WAVELENGTH (nm)	532.00
FULL WIDTH HALF MAX (nm)	0.50
MINIMUM TRANSMISSION (%)	>45
CLEAR APERTURE (mm)	21.00
SUBSTRATE	SODA LIME GLASS & FILTER GLASS

**EO**® **Edmund Optics**®



THIRD ANGLE  
PROJECTION

TITLE

532nm CWL, 0.50 FWHM, 25mm Dia. Ultra  
Narrow Filter

ALL DIMS IN

mm

DWG NO

21-385

SHEET  
4 OF 14