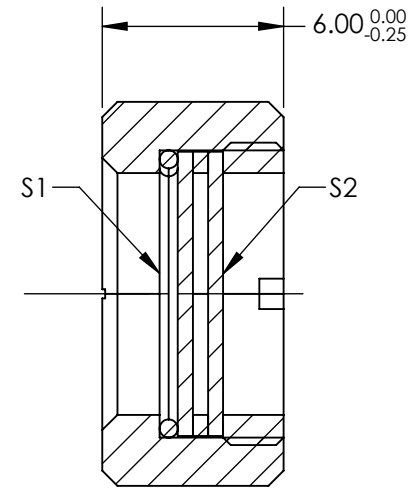
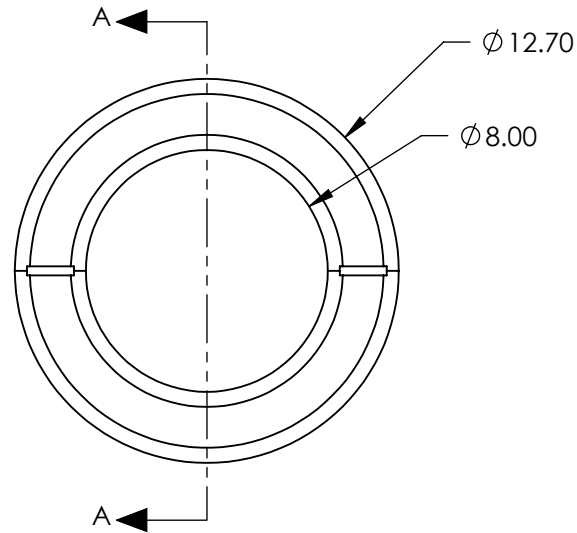
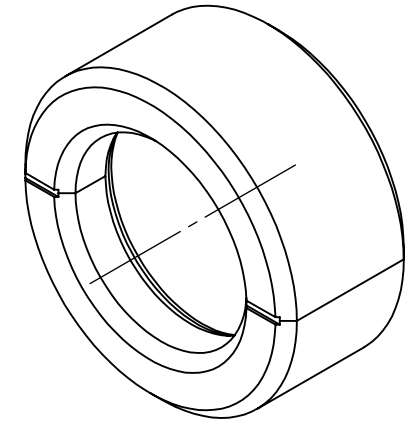


NOTES:

1. SUBSTRATE:
CRYSTAL QUARTZ
2. COATING (APPLY ACROSS CLEAR APERTURE)

S1 & S2: R(abs)<0.2% @1030nm
DAMAGE THRESHOLD: >10 J/cm² @10ns @1064 nm
3. SURFACE S1 TO BE PARALLEL TO SURFACE S2 TO WITHIN <3 ARCSEC
4. RETARDANCE: $\lambda/2 \pm \lambda/300$ @ 20° C
5. TRANSMITTED WAVEFRONT: $<\lambda/10$ @ 632.8 nm
6. ROHS COMPLIANT

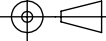


SECTION A-A

SPECIFICATIONS SUBJECT TO CHANGE WITHOUT NOTICE
DIMENSIONS ARE FOR REFERENCE ONLY

**FOR INFORMATION ONLY:
DO NOT MANUFACTURE
PARTS TO THIS DRAWING**

EO® Edmund Optics®

	S1	S2	THIRD ANGLE PROJECTION 	TITLE	12.7mm Dia. 1030nm $\lambda/2$ Quartz Waveplate Zero Order	
CLEAR APERTURE	$\varnothing 8.0$	$\varnothing 8.0$		ALL DIMS IN	mm	DWG NO
SURFACE QUALITY	10-5	10-5				SHEET 1 OF 1