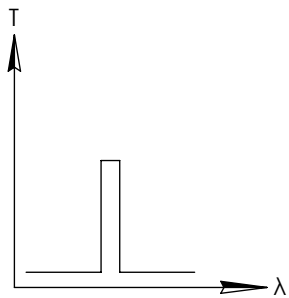
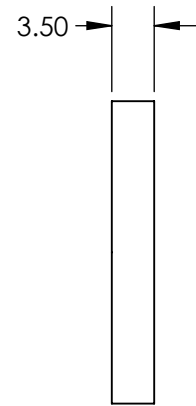
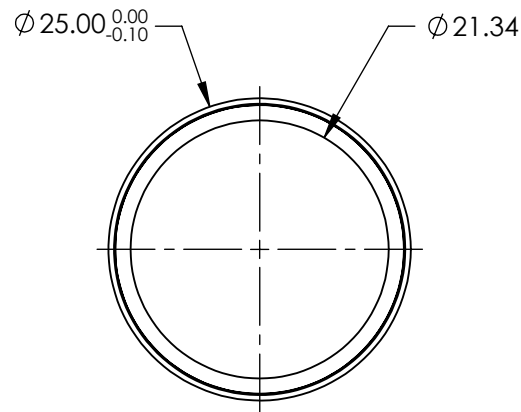
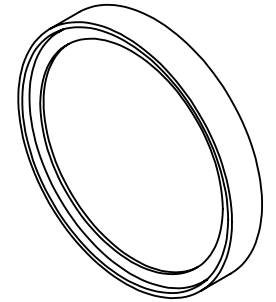


**FOR INFORMATION ONLY:
DO NOT MANUFACTURE
PARTS TO THIS DRAWING**



BANDPASS FILTER

SPECIFICATIONS SUBJECT TO CHANGE WITHOUT NOTICE
DIMENSIONS ARE FOR REFERENCE ONLY

	VALUE
CENTER WAVELENGTH (nm)	1031.20
FULL WIDTH HALF MAX (nm)	0.60nm
MINIMUM TRANSMISSION	≥85
BLOCKING	1042 - 1130nm, 940 - 1020nm
OPTICAL DENSITY	≥8.0
CONSTRUCTION	MOUNTED IN BLACK ANODIZED ALUMINUM
COATING TYPE	HARD COATED

EO® Edmund Optics®



THIRD ANGLE
PROJECTION

TITLE

1030nm CWL, 25mm Dia., OD 8 Ultra Narrow
Filter

ALL DIMS IN

mm

DWG NO

15401

SHEET
1 OF 1