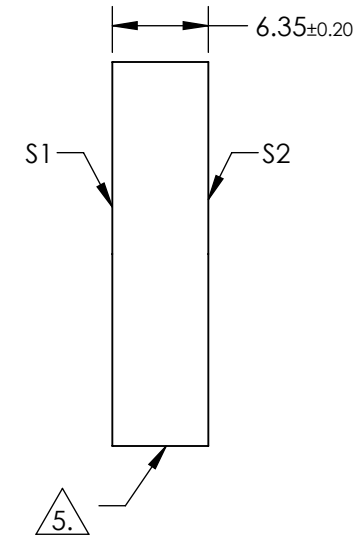
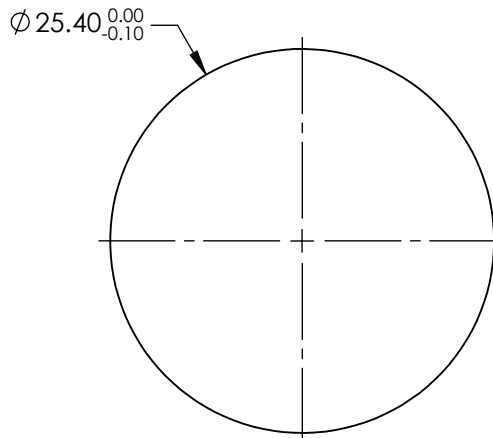


NOTES:

1. SUBSTRATE: FUSED SILICA
2. RoHS: COMPLIANT
3. SURFACE S2 TO BE PARALLEL TO SURFACE S1 TO WITHIN < 3 ARCMIN
4. COATING (APPLY ACROSS COATING APERTURE)  
S1 & S2: R(ABS) < 0.10% @ 1064nm @ 0° AOI

DAMAGE THRESHOLD,  
PULSED: 15 J/cm<sup>2</sup> @ 1064nm, 20ns, 20Hz

5. FINE GRIND SURFACE

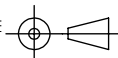


**FOR INFORMATION ONLY:  
DO NOT MANUFACTURE  
PARTS TO THIS DRAWING**

SPECIFICATIONS SUBJECT TO CHANGE WITHOUT NOTICE  
DIMENSIONS ARE FOR REFERENCE ONLY

**EO**® Edmund Optics®

	S1	S2
SHAPE	PLANO	PLANO
SURFACE QUALITY	10-5	10-5
CLEAR APERTURE	Ø22.86	Ø22.86
BEVEL	PROTECTIVE AS NEEDED	PROTECTIVE AS NEEDED

THIRD ANGLE PROJECTION 

ALL DIMS IN mm

TITLE	25.4mm DIA., 6.35mm THICK, 1064nm, Nd:YAG IBS LASER LINE WINDOW	
DWG NO	12989	SHEET 1 OF 1