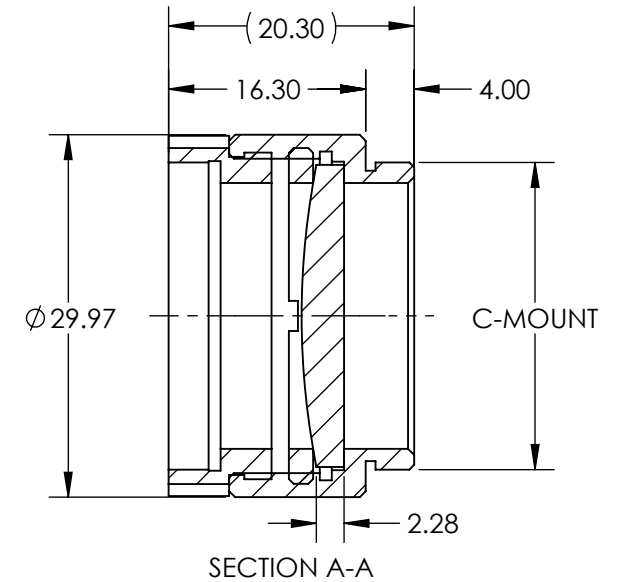
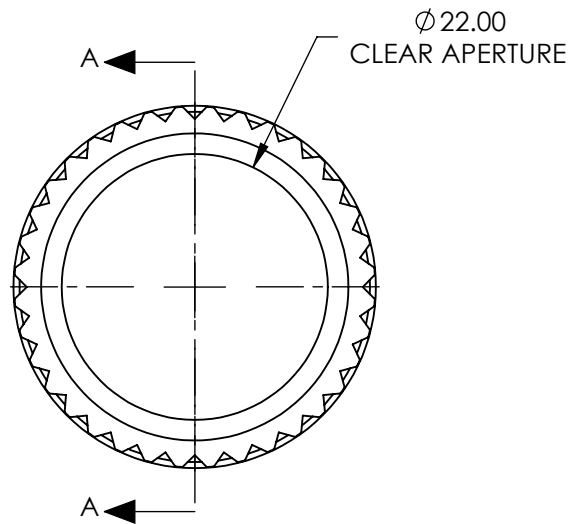


NOTES:

1. SUBSTRATE:
N-BK7
2. ROHS COMPLIANT
3. COATING (APPLY ACROSS COATING APERTURE)
S1 & S2: MgF2 (400-700nm)
R(AVG) ≤1.75% @ 400 - 700nm
4. FOCAL LENGTH (EFL): 125.00 ±1 %
FOCAL LENGTH (BFL) FROM MECHANICAL HOUSING: 116.9
5. LENS INCLUDED: #32-862
MOUNT INCLUDED: #56-353

**FOR INFORMATION ONLY:
DO NOT MANUFACTURE
PARTS TO THIS DRAWING**



SPECIFICATIONS SUBJECT TO CHANGE WITHOUT NOTICE
DIMENSIONS ARE FOR REFERENCE ONLY

| | S1 | S2 |
|-------------------------|--------|----------|
| SHAPE | CONVEX | PLANO |
| RADIUS | 64.62 | INFINITY |
| SURFACE QUALITY | 40-20 | 40-20 |
| POWER AT 632.8nm | 1.5λ | 1.5λ |
| IRREGULARITY AT 632.8nm | λ/4 | λ/4 |

THIRD ANGLE
PROJECTION

ALL DIMS IN mm

EO® **Edmund Optics**®

TITLE

22mm CA, 125mm FL, Mounted MgF2
Coated Plano-Convex Lens

DWG NO

13001

SHEET
1 OF 1