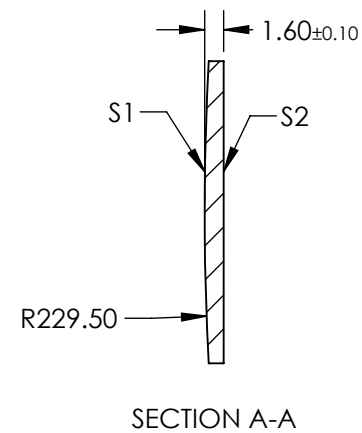
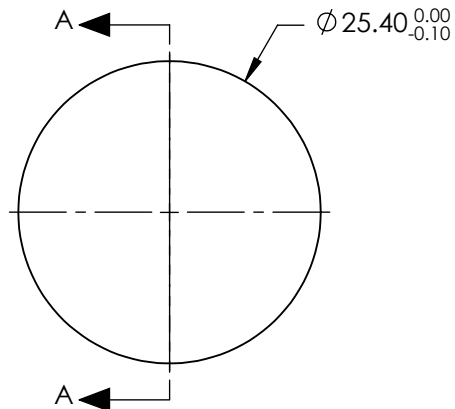


NOTES:


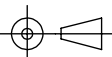
1. SUBSTRATE: FUSED SILICA
2. COATING:  
S1 & S2: R(ABS) <0.5% @ 370 - 550nm @ 45° AOI
3. CENTERING: < 3 ARCMIN
4. RoHS: COMPLIANT

FOR INFORMATION ONLY:  
DO NOT MANUFACTURE  
PARTS TO THIS DRAWING



SPECIFICATIONS SUBJECT TO CHANGE WITHOUT NOTICE  
DIMENSIONS ARE FOR REFERENCE ONLY

	S1	S2
SHAPE	CONVEX	PLANO
SURFACE QUALITY	20-10	20-10
CLEAR APERTURE	Ø22.86	Ø22.86
BEVEL	PROTECTIVE AS NEEDED	PROTECTIVE AS NEEDED

EFL: 500.58 mm		 <b>Edmund Optics®</b>	
BFL: 499.49 mm			
 THIRD ANGLE PROJECTION		TITLE	25.4mm Diameter x 500mm FL, 370-550nm Coated, Ultrafast Thin PCX Lens
ALL DIMS IN	mm	DWG NO	11685
			SHEET 1 OF 1