

NOTES:

1. SUBSTRATE: FUSED SILICA
2. COATING:

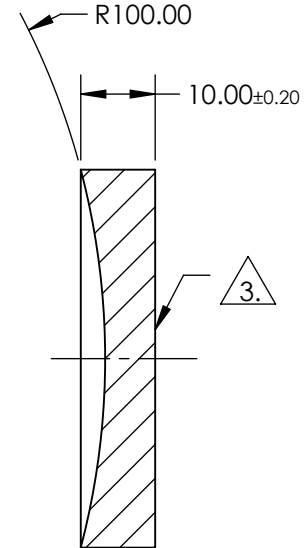
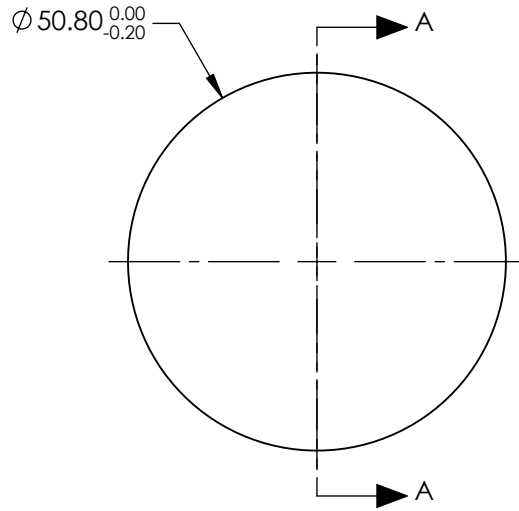
S1: R(ABS) >99.80% @ 266nm @ 0-45° AOI
 DAMAGE THRESHOLD, PULSED: 2 J/cm² @ 266nm, 20ns, 20Hz
 DAMAGE THRESHOLD, CW: 1MW/cm² @ 266nm

S2: NONE

3. FINE GRIND SURFACE


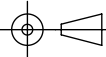
4. RoHS: COMPLIANT

**FOR INFORMATION ONLY:
 DO NOT MANUFACTURE
 PARTS TO THIS DRAWING**



SECTION A-A

SPECIFICATIONS SUBJECT TO CHANGE WITHOUT NOTICE
 DIMENSIONS ARE FOR REFERENCE ONLY

	S1	S2	EFL: 50.00mm		 Edmund Optics®		
SHAPE	CONCAVE	PLANO	BFL: N/A				
SURFACE QUALITY	20-10	FINE GRIND	THIRD ANGLE PROJECTION 		TITLE	50.8mm Dia. x 50mm EFL, 266nm 0-45°, Concave Laser Line Mirror	
SURFACE FLATNESS	3λ/20	N/A			DWG NO	11327	SHEET 1 OF 1
CLEAR APERTURE	Ø45.72	N/A	ALL DIMS IN	mm			
BEVEL	PROTECTIVE AS NEEDED	PROTECTIVE AS NEEDED					