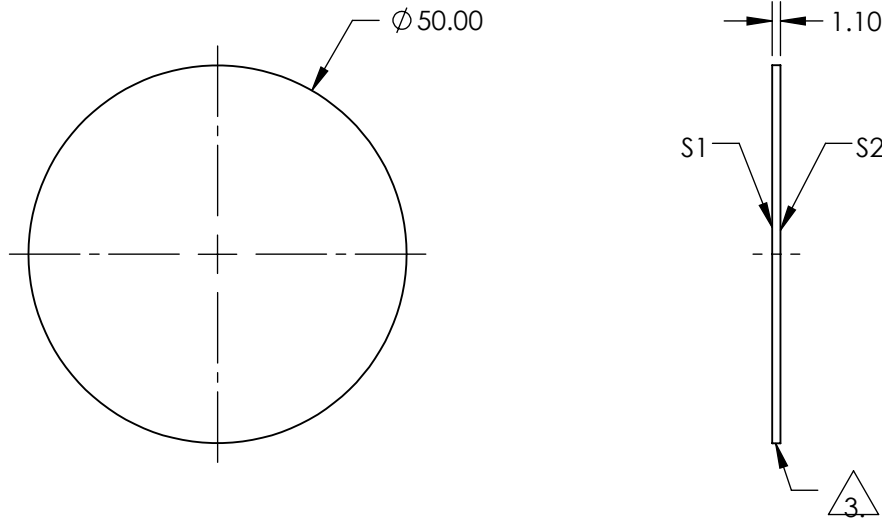


NOTES:

1. SUBSTRATE:  
BOROFLOAT®
2. COATING (APPLY ACROSS COATING APERTURE):  
S1 & S2: NONE
3. FINE GRIND SURFACE
4. ROHS: COMPLIANT

**FOR INFORMATION ONLY:  
DO NOT MANUFACTURE  
PARTS TO THIS DRAWING**



SPECIFICATIONS SUBJECT TO CHANGE WITHOUT NOTICE  
DIMENSIONS ARE FOR REFERENCE ONLY

|                  | S1                   | S2                   |
|------------------|----------------------|----------------------|
| SHAPE            | PLANO                | PLANO                |
| CLEAR APERTURE   | Ø45.00               | Ø45.00               |
| SURFACE QUALITY  | 80-50                | 80-50                |
| SURFACE FLATNESS | 4-6 WAVES            | 4-6 WAVES            |
| BEVEL            | PROTECTIVE AS NEEDED | PROTECTIVE AS NEEDED |

THIRD ANGLE PROJECTION

ALL DIMS IN

mm

**Edmund Optics®**

TITLE

Ø50mm UNCOATED BOROFLOAT WINDOW

DWG NO

39274

SHEET  
1 OF 1