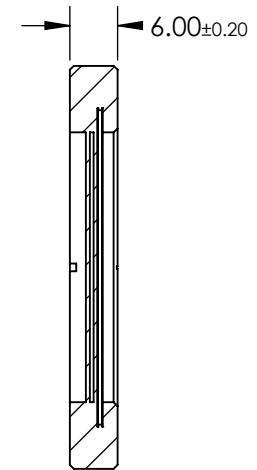
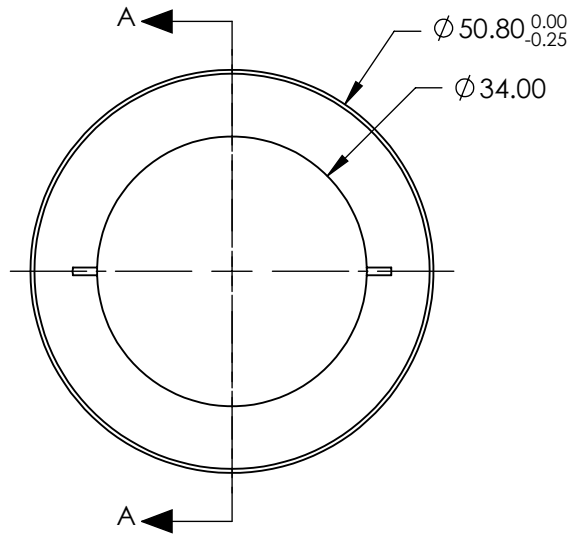


NOTES:

1. SUBSTRATE:
Crystal Quartz and MgF2
2. COATING (APPLY ACROSS COATING APERTURE):
S1 & S2: R(AVG) <0.75% @ 340 - 560nm

DAMAGE THRESHOLD,
PULSED: >5 J/cm², 10ns @ 10Hz @ 1064nm
3. SURFACE S1 TO BE PARALLEL TO SURFACE S2 TO WITHIN <10 ARCSEC
4. RETARDANCE: $\lambda/2 \pm \lambda/100$ @ 20°C
5. DESIGN WAVELENGTH: 340 - 560 nm
6. TRANSMITTED WAVEFRONT: < $\lambda/4$ @ 632nm
7. CONSTRUCTION: Crystalline
8. ROHS: COMPLIANT

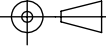


SECTION A-A

**FOR INFORMATION ONLY:
DO NOT MANUFACTURE
PARTS TO THIS DRAWING**

SPECIFICATIONS SUBJECT TO CHANGE WITHOUT NOTICE
DIMENSIONS ARE FOR REFERENCE ONLY

EO® Edmund Optics®

| | | | | | | |
|-----------------|-------|-------|--|-------|---|--------------|
| | S1 | S2 | THIRD ANGLE PROJECTION  | TITLE | 50.8mm Dia, 340 - 560nm, $\lambda/2$ Achromatic Waveplate | |
| SURFACE QUALITY | 40-20 | 40-20 | ALL DIMS IN | mm | DWG NO | 39029 |
| CLEAR APERTURE | > Ø34 | > Ø34 | | | | SHEET 1 OF 1 |