

NOTES:

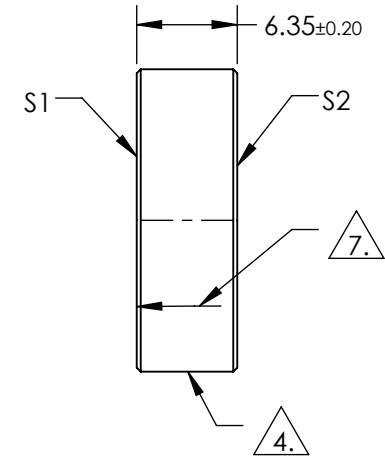
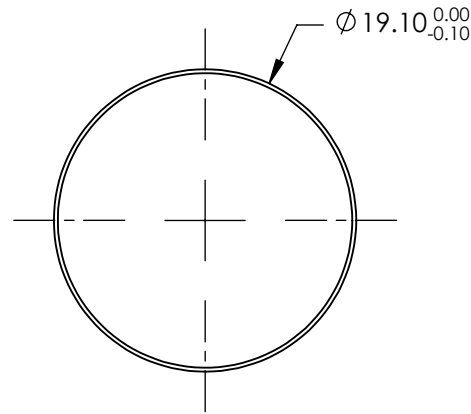
1. SUBSTRATE  
FUSED SILICA
2. SURFACE S2 TO BE PARALLEL TO SURFACE S1 TO WITHIN <3 ARCMIN
3. COATING (APPLY ACROSS COATING APERTURE):

S1: 532 HR Coating  
 R (ABS) > 99.80% @ 532nm @ 45° AOI  
 R (AVG) > 99.5% @ 523 - 537nm @ 45° AOI

DAMAGE THRESHOLD,  
 PULSED: 15 J/cm<sup>2</sup>, 20ns, 20Hz @ 532nm  
 CW: 1MW/cm<sup>2</sup> @ 532nm

S2: NONE

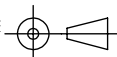
4. FINE GRIND SURFACE
5. POWER, IRREGULARITY, AND SURFACE QUALITY SPECIFICATIONS APPLY ACROSS CLEAR APERTURE
6. CLEAR APERTURE AND COATING APERTURE ARE CENTERED ON SURFACES
7. APPLY ARROW ON EDGE WITH LASER ETCH, PENCIL, OR PERMANENT INK POINTING TOWARDS SURFACE S1




**FOR INFORMATION ONLY:  
 DO NOT MANUFACTURE  
 PARTS TO THIS DRAWING**

SPECIFICATIONS SUBJECT TO CHANGE WITHOUT NOTICE  
 DIMENSIONS ARE FOR REFERENCE ONLY

	S1	S2
SHAPE	PLANO	PLANO
SURFACE QUALITY	10-5	COMMERCIAL POLISH
SURFACE FLATNESS	0.10 WAVE	N/A
MIN CLEAR APERTURE	Ø17.19	N/A
MIN COATING APERTURE	Ø17.19	N/A
BEVEL	PROTECTIVE AS NEEDED	PROTECTIVE AS NEEDED

THIRD ANGLE PROJECTION 

ALL DIMS IN mm

 **Edmund Optics®**

TITLE: Ø19.1mm x 6.35mm, 532nm, NdYAG MIRROR  
45° AOI

DWG NO: 34824

SHEET 1 OF 1