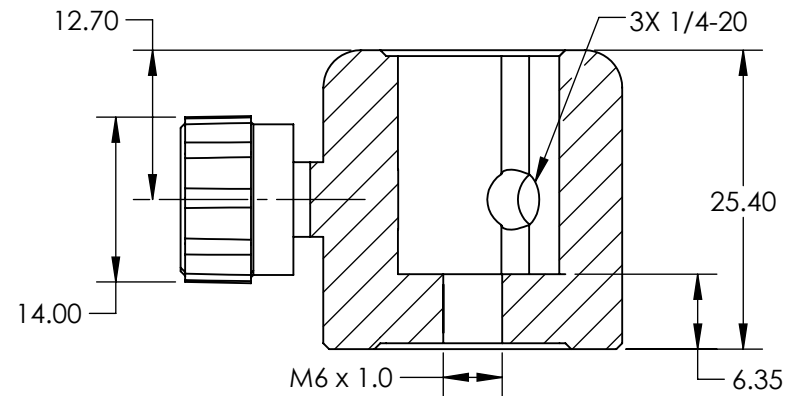
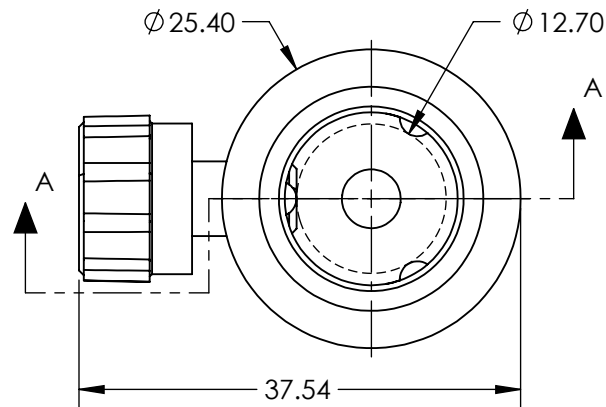
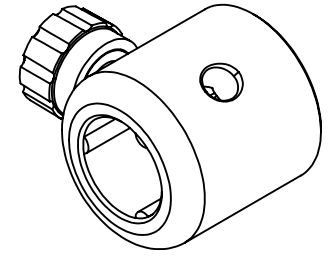


NOTES:
 1. RoHS: COMPLIANT

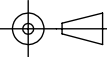


SECTION A-A

SPECIFICATIONS SUBJECT TO CHANGE WITHOUT NOTICE
 DIMENSIONS ARE FOR REFERENCE ONLY

EO[®] Edmund Optics[®]

**FOR INFORMATION ONLY:
 DO NOT MANUFACTURE
 PARTS TO THIS DRAWING**

THIRD ANGLE PROJECTION 		TITLE	25.4mm LENGTH, M6 THREAD, POST HOLDER	
ALL DIMS IN	mm	DWG NO	58970	SHEET 1 OF 1