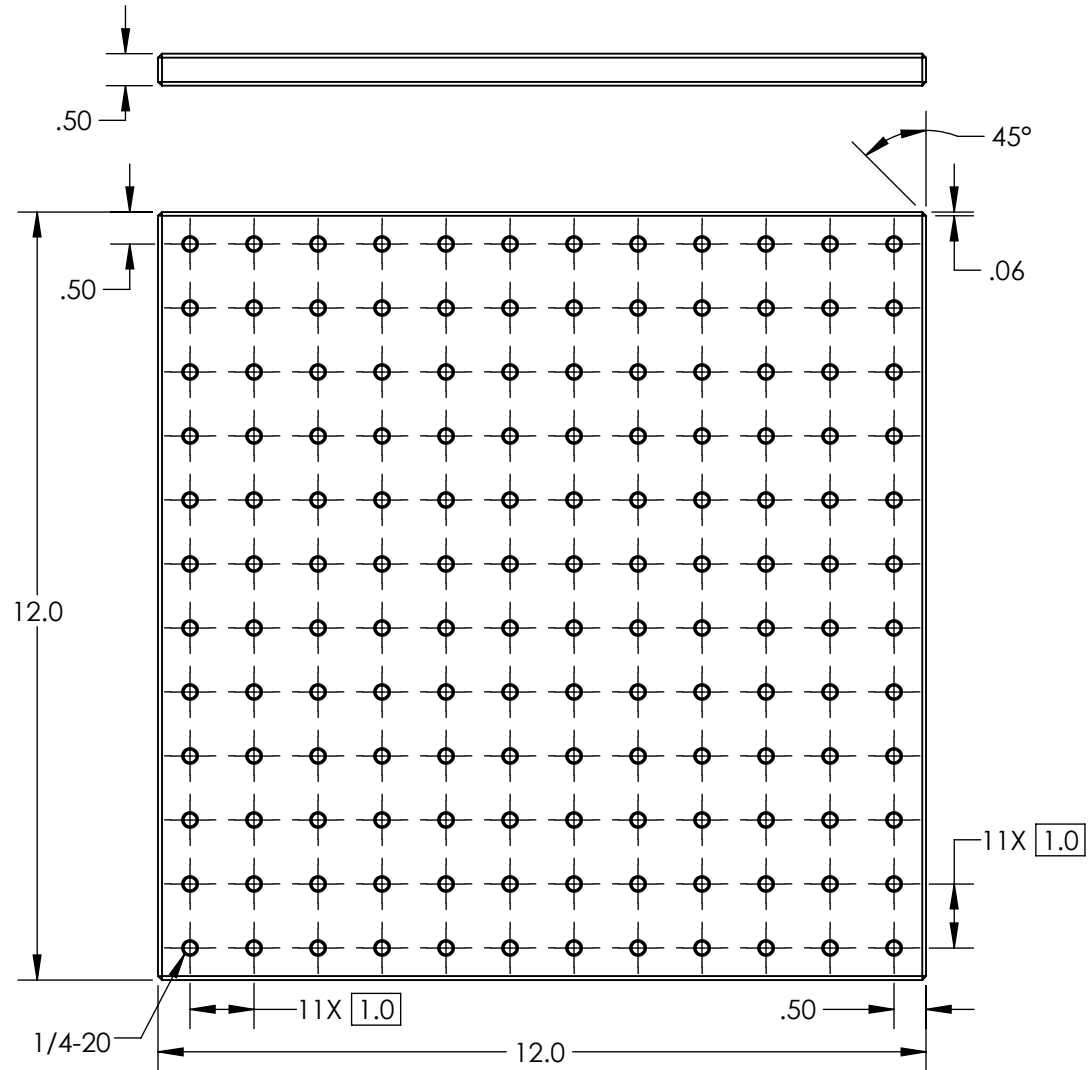


NOTES:

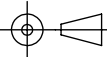
1. MATERIAL: BLACK ANODIZED ALUMINUM



SPECIFICATIONS SUBJECT TO CHANGE WITHOUT NOTICE
DIMENSIONS ARE FOR REFERENCE ONLY

**FOR INFORMATION ONLY:
DO NOT MANUFACTURE
PARTS TO THIS DRAWING**

EO® Edmund Optics®

THIRD ANGLE PROJECTION 		TITLE	12" x 12", BREADBOARD	
ALL DIMS IN	in	DWG NO	53830	SHEET 1 OF 1