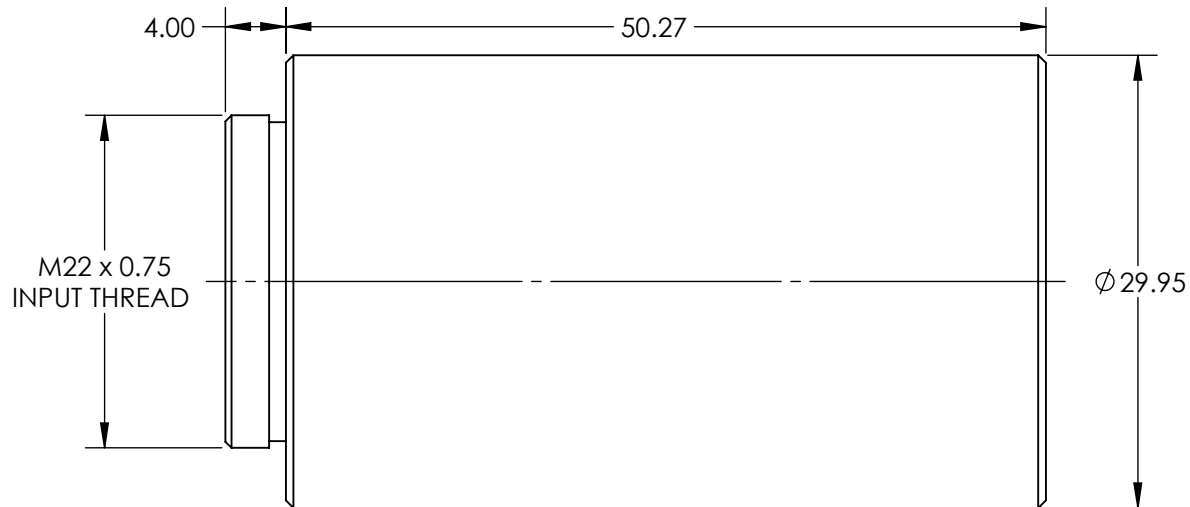
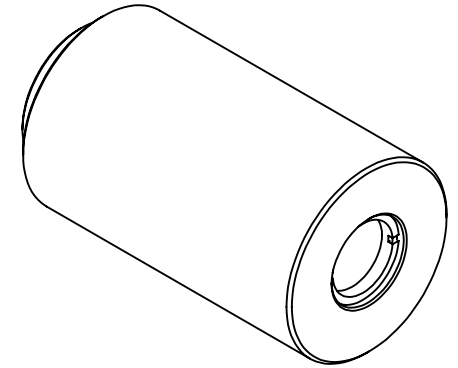


**FOR INFORMATION ONLY:  
DO NOT MANUFACTURE  
PARTS TO THIS DRAWING**



SPECIFICATIONS SUBJECT TO CHANGE WITHOUT NOTICE  
DIMENSIONS ARE FOR REFERENCE ONLY



EXPANSION POWER	5X
DESIGN WAVELENGTH DWL (nm)	355
INPUT APERTURE DIAMETER(mm)	3.5
EXIT APERTURE DIAMETER(mm)	10.0



ALL DIMS IN

mm

TITLE	5X, 355nm Scorpii™ Nd:YAG Beam Expander
DWG NO	37055
SHEET	1 OF 1