

NOTES:

1. SUBSTRATE MATERIAL:
BOROFLOAT®

2. COATING (APPLY ACROSS CLEAR APERTURE)

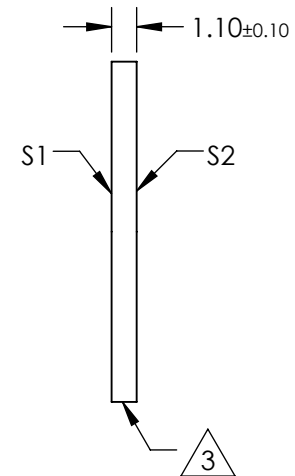
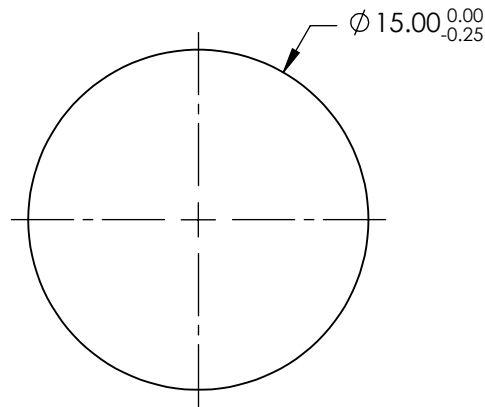
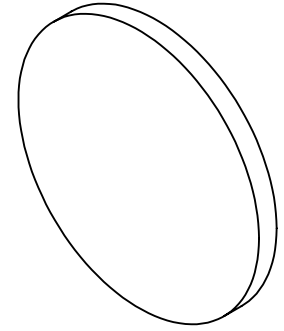
S1: R(avg) <0.5% @ 425 - 675nm

HYDROPHOBIC COATING - REPELS WATER, OIL AND DEBRIS

S2:NONE

3. FINE GRIND SURFACE

4. ROHS COMPLIANT

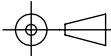


**FOR INFORMATION ONLY:
DO NOT MANUFACTURE
PARTS TO THIS DRAWING**

SPECIFICATIONS SUBJECT TO CHANGE WITHOUT NOTICE
DIMENSIONS ARE FOR REFERENCE ONLY

	S1	S2
SHAPE	PLANO	PLANO
SURFACE QUALITY	80 - 50	80 - 50
CLEAR APERTURE	Ø13.50	Ø13.50
BEVEL	PROTECTIVE AS NEEDED	PROTECTIVE AS NEEDED

THIRD ANGLE PROJECTION



ALL DIMS IN

mm

EO® Edmund Optics®

TITLE

WINDOW BORO HYDRO & OLEO 15MM TS
Indoor

DWG NO

36071

SHEET
1 OF 1