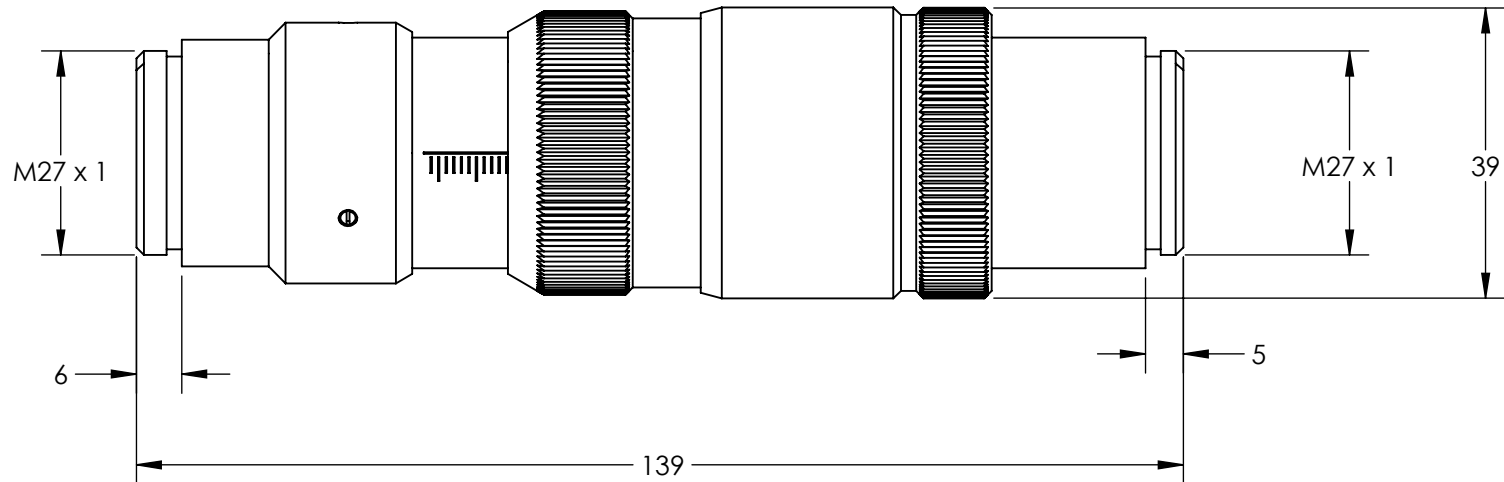
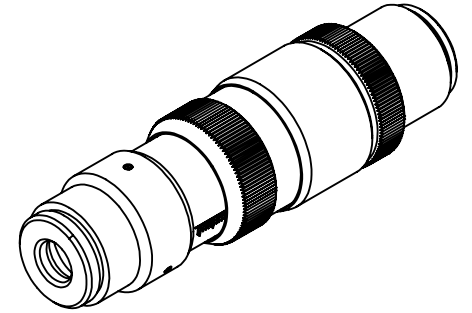


NOTES:

1. RoHS: COMPLIANT

**FOR INFORMATION ONLY:
DO NOT MANUFACTURE
PARTS TO THIS DRAWING**



SPECIFICATIONS SUBJECT TO CHANGE WITHOUT NOTICE
DIMENSIONS ARE FOR REFERENCE ONLY

EO® **Edmund Optics**®

	VALUE			TITLE	CO2 Flat Top Beam Shaper 7mm πShaper 7_7_10.6	
DESIGN WAVELENGTH DWL (nm)	10600	THIRD ANGLE PROJECTION				
INPUT DIAMETER	7mm (1/e ²)	ALL DIMS IN	mm	DWG NO	34259	SHEET 1 OF 1
WAVELENGTH RANGE(nm)	10000 - 11000					