

NOTES:

1. SUBSTRATE MATERIAL:
FUSED SILICA

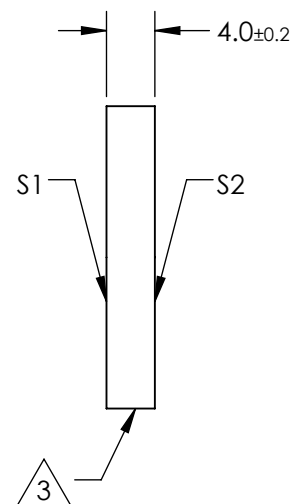
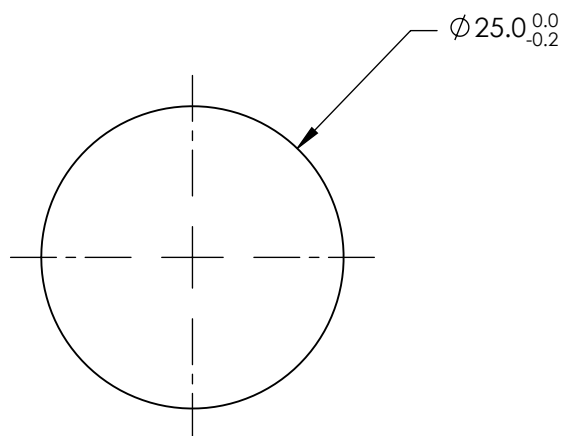
2. COATING (APPLY ACROSS CLEAR APERTURE)

S1: Broadband Dielectric
R(avg) >98% @ 750 - 1100nm (0 - 45°) ALL POLARIZATIONS
R(avg) >99% @ 750 - 1100nm (0°) ALL POLARIZATIONS
S2: NONE

 FINE GROUND SURFACE

4. RoHS COMPLIANT

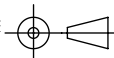
**FOR INFORMATION ONLY:
DO NOT MANUFACTURE
PARTS TO THIS DRAWING**



SPECIFICATIONS SUBJECT TO CHANGE WITHOUT NOTICE
DIMENSIONS ARE FOR REFERENCE ONLY

REV. A	S1	S2
SHAPE	PLANO	PLANO
CLEAR APERTURE (%)	90	N/A
SURFACE QUALITY	20-10	COMMERCIAL POLISH
SURFACE FLATNESS	λ/10 (BEFORE COATING)	N/A
BEVEL	PROTECTIVE AS NEEDED	PROTECTIVE AS NEEDED

THIRD ANGLE
PROJECTION



ALL DIMS IN

mm

 **Edmund Optics®**

TITLE

Ø25mm, 750 - 1100nm BROADBAND λ/10
MIRROR

DWG NO

87381

SHEET
1 OF 1