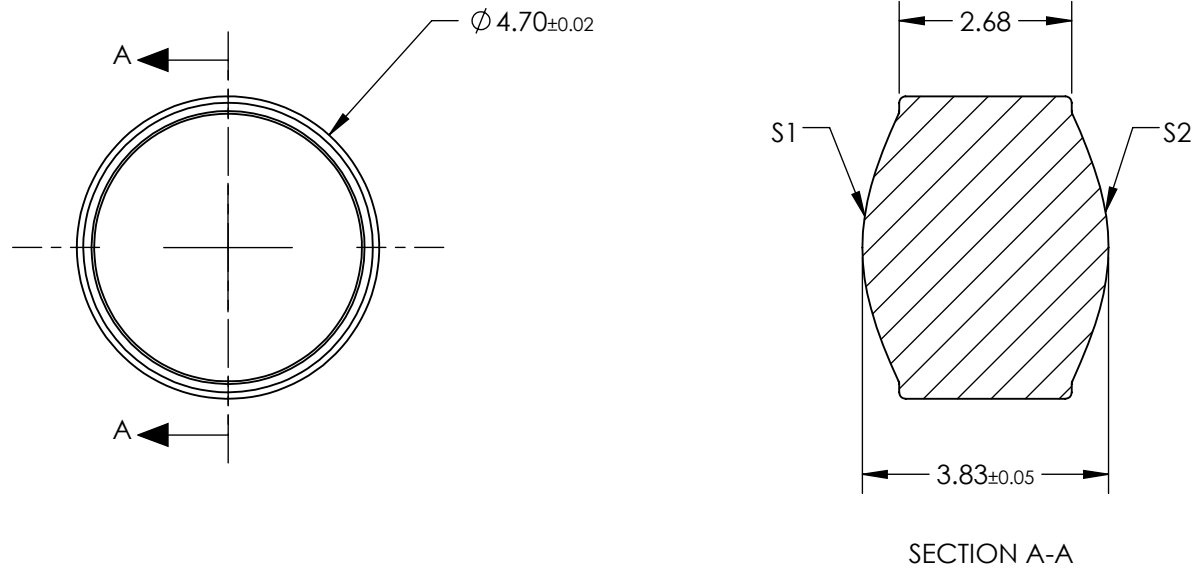


NOTES:


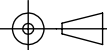
1. SUBSTRATE:
D-ZLAF52LA
2. NUMERICAL APERTURE:
OBJECT: 0.26
IMAGE: 0.52
WD, IMAGE(mm): 7.09
3. COATING
S1 & S2: R(ABS) < 1.0% @ 1050 - 1600nm
4. FOCAL LENGTH TOLERANCE: ±1%
5. TRANSMITTED WAVEFRONT ERROR (λ , RMS): < 0.200
6. MAGNIFICATION: 2X



**FOR INFORMATION ONLY:
DO NOT MANUFACTURE
PARTS TO THIS DRAWING**

SPECIFICATIONS SUBJECT TO CHANGE WITHOUT NOTICE DIMENSIONS ARE FOR REFERENCE ONLY

	S1	S2
SHAPE	CONVEX	CONVEX
SURFACE QUALITY	40-20	40-20
CLEAR APERTURE	Ø4.12	Ø4.12
BEVEL MAX	PROTECTIVE AS NEEDED	PROTECTIVE AS NEEDED

EFL	2.76	 Edmund Optics®	
BFL	2.70		
THIRD ANGLE PROJECTION		TITLE	0.52 NA 2.76mm FL 1050-1600nm AR COATED, MOLDED ASPHERIC LENS
ALL DIMS IN	mm	DWG NO	87135
			SHEET 1 OF 1