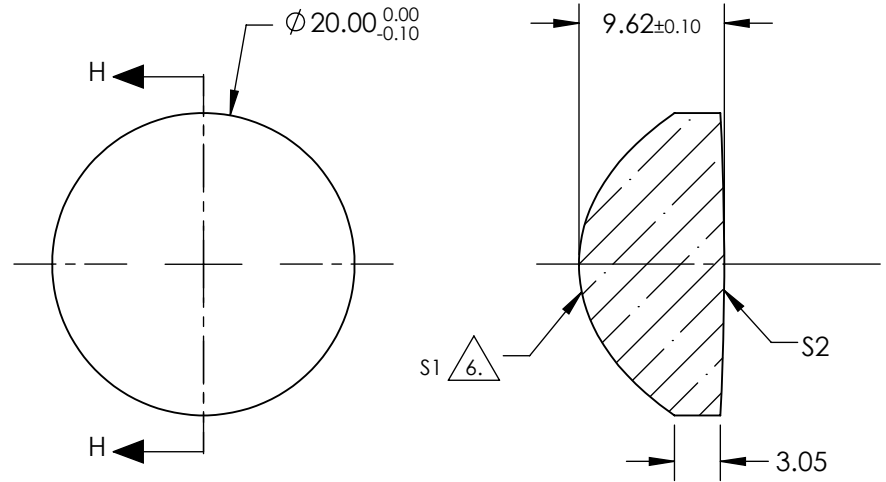


NOTES:

1. SUBSTRATE: L-BAL35
2. COATING (APPLY ACROSS CLEAR APERTURE)
 S1: R(avg) ≤1.5% @ 600 - 1050nm
 S2: R(avg) ≤1.5% @ 600 - 1050nm
3. EDGES: FINE GROUND
4. CENTERING: 3-5 ARCMIN
5. ASPHERE FIGURE ERROR: 0.75 μm RMS

△ ASPHERIC SURFACE DESCRIBED BY (REF. COEFFICIENT TABLE)

$$Z_{ASPH}(Y) = \frac{(\frac{1}{RADIUS}) * Y^2}{1 + \sqrt{1 - (1+k) * (\frac{1}{RADIUS})^2 * Y^2}} + D * Y^2 + E * Y^4 + F * Y^6 + G * Y^8 + H * Y^{10} + J * Y^{12} + L * Y^{14}$$



SECTION H-H

COEFFICIENT TABLE △ 6.

| COEFFICIENT | S1 |
|---------------|---------------|
| SEMI-DIAMETER | 10.000000E+00 |
| (1/RADIUS) | 1.101112E-01 |
| k | -6.249874E-01 |
| D | 0.000000E+00 |
| E | 0.000000E+00 |
| F | 2.320534E-07 |
| G | -2.457574E-09 |
| H | 0.000000E+00 |
| J | 0.000000E+00 |
| L | 0.000000E+00 |

**FOR INFORMATION ONLY:
DO NOT MANUFACTURE
PARTS TO THIS DRAWING**

SPECIFICATIONS SUBJECT TO CHANGE WITHOUT NOTICE DIMENSIONS ARE FOR REFERENCE ONLY

| REV. A | S1 | S2 | EFL @ 587.6μm | 15 | Edmund Optics® | | |
|-----------------|----------------------|----------------------|--|------|------------------------|-------|--------------|
| SHAPE | CONVEX | CONVEX | BFL @ 587.6μm | 9.16 | THIRD ANGLE PROJECTION | TITLE | |
| RADIUS | 9.082 | 200.00 | 20mm DIA., 0.66 NUMERICAL APERTURE NIR COATED, ASPHERIC LENS | | | | |
| SURFACE QUALITY | 60-40 | 60-40 | ALL DIMS IN | mm | DWG NO | 66329 | |
| CLEAR APERTURE | 90% | 90% | | | | | SHEET 1 OF 1 |
| BEVEL MAX | PROTECTIVE AS NEEDED | PROTECTIVE AS NEEDED | | | | | |