

NOTES:

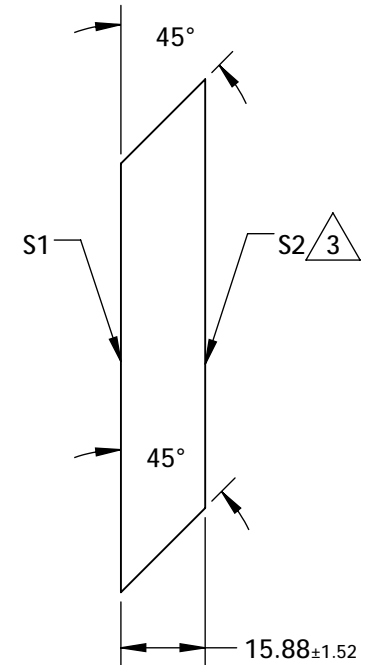
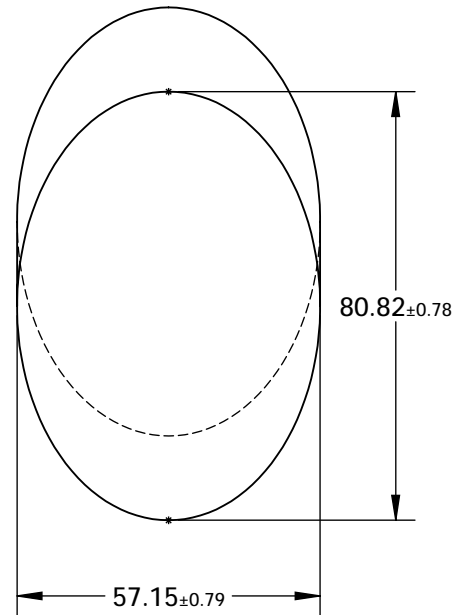
1. SUBSTRATE MATERIAL: BOROFLOAT®
2. COATING (APPLY ACROSS CLEAR APERTURE)

S1: R(AVG) >89% @ 250 - 450nm
 R(AVG) >85% @ 250 - 700nm

S2: NONE

3. FINE GRIND SURFACE

4. RoHS COMPLIANT

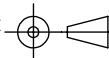


**FOR INFORMATION ONLY:
 DO NOT MANUFACTURE
 PARTS TO THIS DRAWING**

SPECIFICATIONS SUBJECT TO CHANGE WITHOUT NOTICE
 DIMENSIONS ARE FOR REFERENCE ONLY

	S1	S2
TYPE	PLANO	PLANO
CLEAR APERTURE (mm)	72.75 x 51.44	N/A
SURFACE QUALITY	60-40	N/A
SURFACE FLATNESS	$\lambda/8$	N/A
BEVEL	PROTECTIVE AS NEEDED	PROTECTIVE AS NEEDED

THIRD ANGLE
 PROJECTION



ALL DIMS IN

mm



TITLE	DWG NO	SHEET
57.15mm, MINOR AXIS UV ENHANCED ALUMINUM ELLIPTICAL MIRROR	43579	1 OF 1