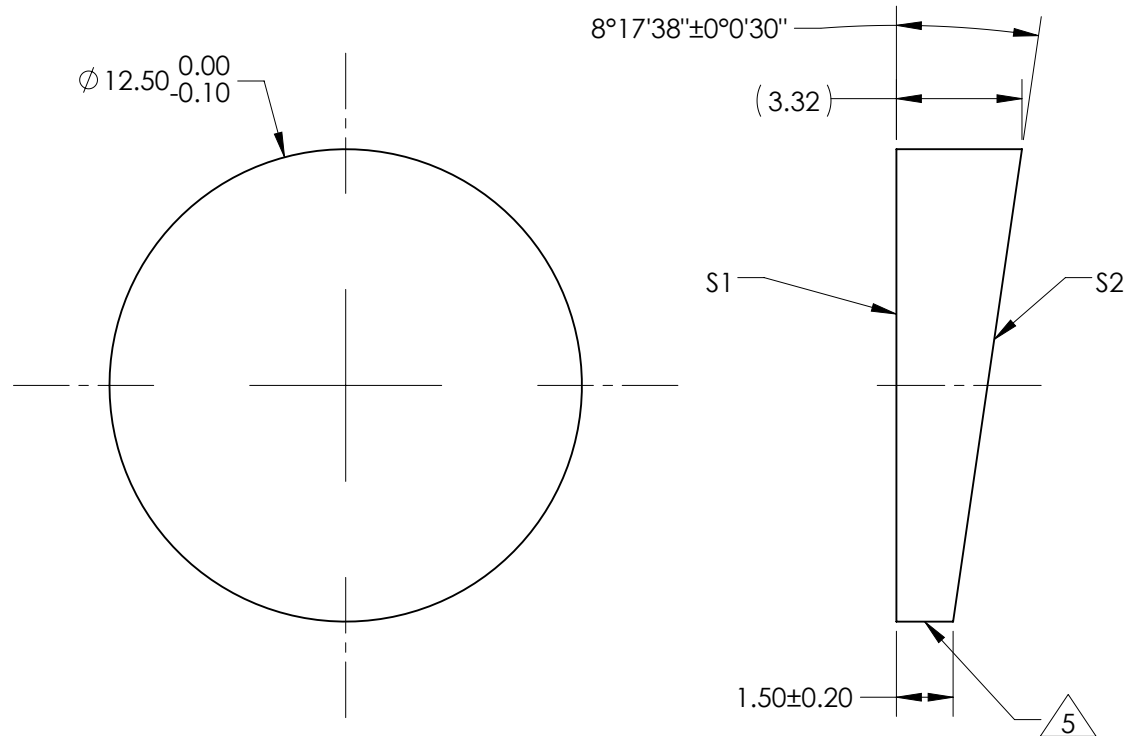


NOTES:

1. SUBSTRATE
CORNING: FUSED SILICA 458/678
2. ROHS COMPLIANT
3. WAVELENGTH RANGE: 350 - 2200nm
4. COATING (APPLY ACROSS COATING APERTURE)
S1 & S2: UV-VIS
R(AVG) ≤ 1.5% FROM 250-700nm @ 0° AOI
R(ABS) ≤ 1.0% FROM 350-450nm @ 0° AOI
5. FINE GRIND SURFACE
6. POWER, IRREGULARITY, AND SURFACE QUALITY SPECIFICATIONS APPLY ACROSS CLEAR APERTURE
7. IMAGE ORIENTATION: BEAM DEVIATION



**FOR INFORMATION ONLY:
DO NOT MANUFACTURE
PARTS TO THIS DRAWING**

	S1	S2
SHAPE	PLANO	PLANO
SURFACE QUALITY	20 - 10	20 - 10
MIN CLEAR APERTURE	$\phi 11.25$	$\phi 11.25$
MIN COATING APERTURE	N/A	N/A
POWER AT 632.8nm	0.5 RINGS	0.5 RINGS
IRREGULARITY AT 632.8nm	0.2 RING	0.2 RING
BEVEL	PROTECTIVE, AS NEEDED	PROTECTIVE, AS NEEDED

SPECIFICATIONS SUBJECT TO CHANGE WITHOUT NOTICE
DIMENSIONS ARE FOR REFERENCE ONLY

EO® Edmund Optics®

THIRD ANGLE PROJECTION		TITLE	PRISM WEDGE FS 4 DEG 12.5MM UV VIS
ALL DIMS IN	mm	DWG NO	35854
			SHEET 1 OF 1