

NOTES:

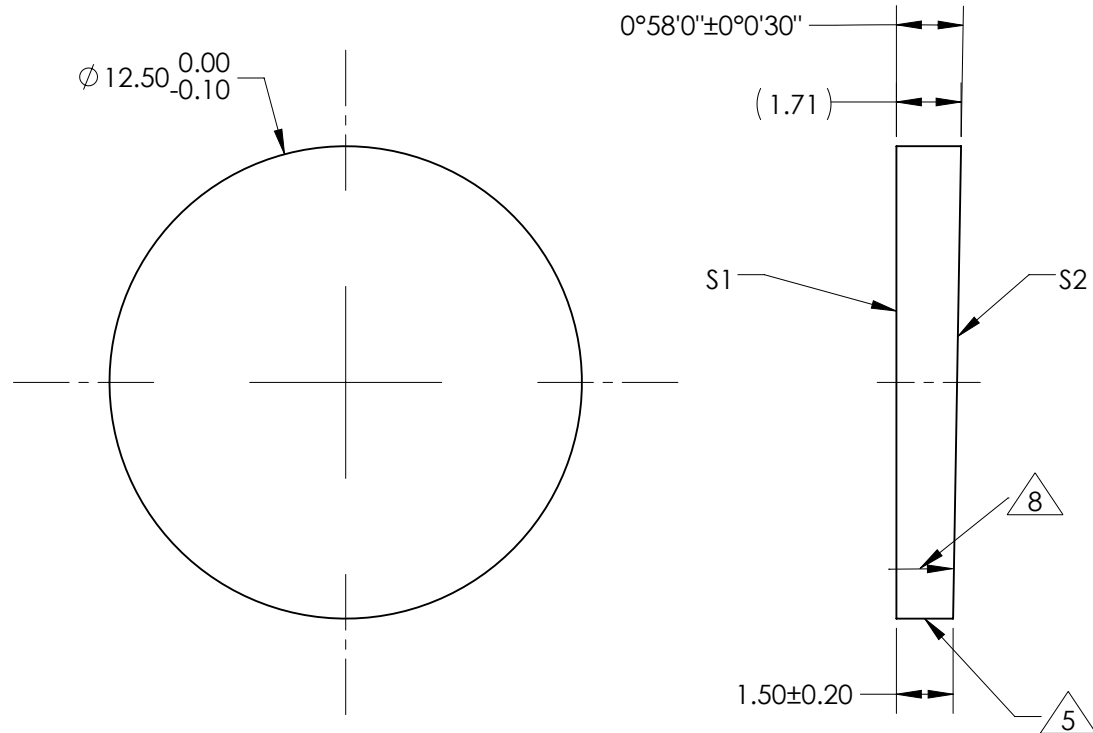
1. SUBSTRATE:
GRADE A FINE ANNEALED
SCHOTT: N-BK7 517/642
2. ROHS COMPLIANT
3. WAVELENGTH RANGE: 350 - 2200nm
4. COATING (APPLY ACROSS COATING APERTURE)
S1 & S2: VIS-NIR
R(ABS) ≤ 0.25% AT 880nm @ 0° AOI
R(AVG) ≤ 1.25% FROM 400-870nm @ 0° AOI
R(AVG) ≤ 1.25% FROM 890-1000nm @ 0° AOI

5. FINE GRIND SURFACE

6. POWER, IRREGULARITY, AND SURFACE QUALITY SPECIFICATIONS APPLY ACROSS CLEAR APERTURE

7. IMAGE ORIENTATION: BEAM DEVIATION

8. APPLY ARROW ON EDGE WITH PENCIL OR PERMANENT INK POINTING TOWARDS TILTED SURFACE S2



**FOR INFORMATION ONLY:
DO NOT MANUFACTURE
PARTS TO THIS DRAWING**

	S1	S2
SHAPE	PLANO	PLANO
SURFACE QUALITY	20 - 10	20 - 10
MIN CLEAR APERTURE	∅ 11.25	∅ 11.25
MIN COATING APERTURE	N/A	N/A
POWER AT 632.8nm	0.5 RINGS	0.5 RINGS
IRREGULARITY AT 632.8nm	0.2 RING	0.2 RING
BEVEL	PROTECTIVE, AS NEEDED	PROTECTIVE, AS NEEDED

SPECIFICATIONS SUBJECT TO CHANGE WITHOUT NOTICE
DIMENSIONS ARE FOR REFERENCE ONLY

EO® Edmund Optics®

THIRD ANGLE PROJECTION

TITLE	12.5MM PRISM WEDGE 0.5 DEG VIS-NIR	
DWG NO	35794	SHEET 1 OF 1

ALL DIMS IN mm