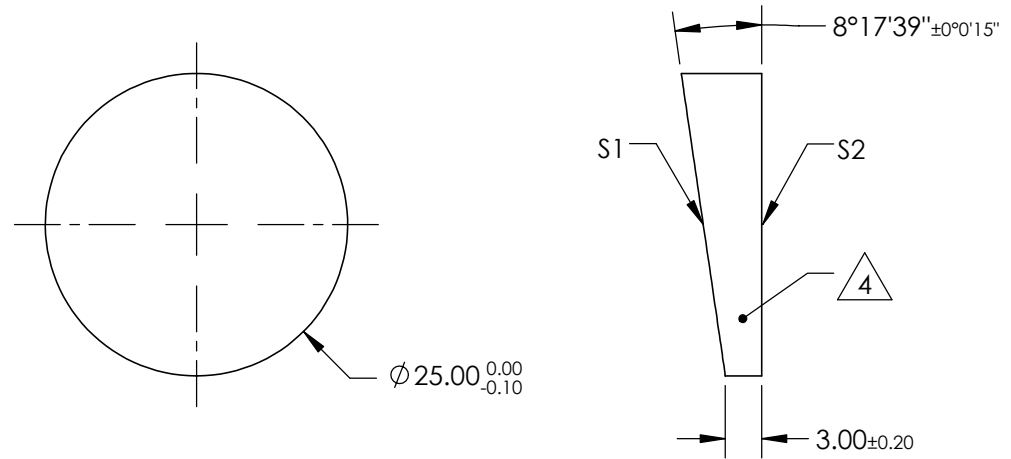


NOTES:

1. SUBSTRATE MATERIAL: FUSED SILICA
2. ONLY ROHS-COMPLIANT MATERIALS ARE ACCEPTABLE.  
DO NOT SUBSTITUTE WITH ROHS EXEMPT OR NON-COMPLIANT MATERIALS
3. COATING (APPLY ACROSS CLEAR APERTURE)  
S1 & S2 : UV-VIS  
Ravg ≤ 1.5% @ 250 - 700nm  
Rabs ≤ 1.0% @ 350 - 450nm
4. FINE GRIND SURFACE
5. POWER, IRREGULARITY, AND SURFACE QUALITY SPECIFICATIONS APPLY ACROSS CLEAR APERTURE
6. CHIPS OUTSIDE OF CLEAR APERTURE: <0.5
7. CLEAR APERTURE AND COATING APERTURE ARE CENTERED ON SURFACES



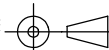
**FOR INFORMATION ONLY:  
DO NOT MANUFACTURE  
PARTS TO THIS DRAWING**

REV. A	S1 & S2
SHAPE	PLANO
POWER (DIOPTERS)	6.99
ANGLE TOL. (ARCSEC)	15
SURFACE QUALITY	20-10
SURFACE FLATNESS	λ/10
WAVELENGTH RANGE (nm)	200 - 2200
CLEAR APERTURE	Ø22.50
IMAGE ORIENTATION	BEAM DEVIATION
BEVEL	PROTECTIVE AS NEEDED

SPECIFICATIONS SUBJECT TO CHANGE WITHOUT NOTICE  
DIMENSIONS ARE FOR REFERENCE ONLY



THIRD ANGLE PROJECTION



ALL DIMS IN

mm

TITLE

4.0° NOM. FUSED SILICA WEDGE PRISM, UV-VIS COATED

DWG NO

89641

SHEET  
1 OF 1