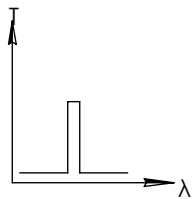
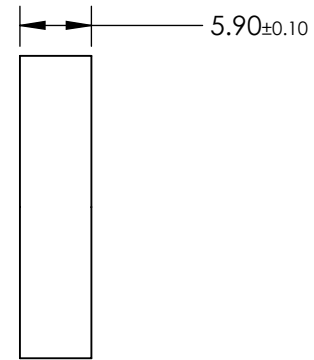
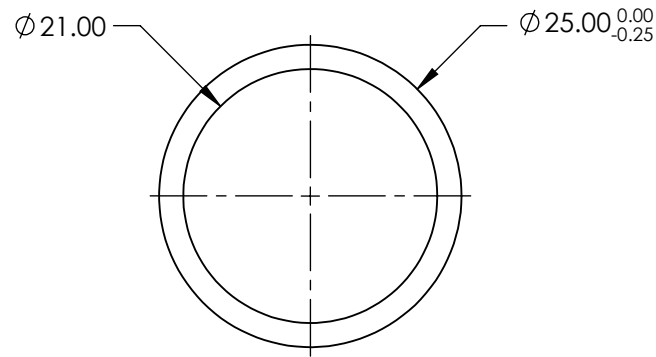
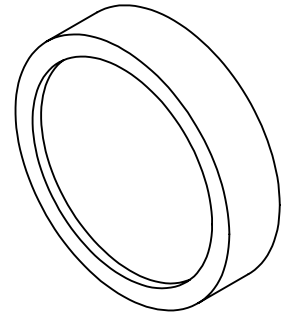


**FOR INFORMATION ONLY:  
DO NOT MANUFACTURE  
PARTS TO THIS DRAWING**



BANDPASS FILTER

SPECIFICATIONS SUBJECT TO CHANGE WITHOUT NOTICE  
DIMENSIONS ARE FOR REFERENCE ONLY

	VALUE
OPTICAL DENSITY	$\geq 4.0$
CENTER WAVELENGTH (CWL)	960 +3.0/-1.0 nm
FULL WIDTH HALF MAX (FWHM)	10 $\pm$ 2 nm
MINIMUM TRANSMISSION	>50 %
BLOCKING	200 - Far IR
SURFACE QUALITY	80-50
CONSTRUCTION	MOUNTED IN BLACK ANODIZED RING
COATING TYPE	TRADITIONAL COATED

**EO**<sup>®</sup> Edmund Optics<sup>®</sup>

THIRD ANGLE PROJECTION

TITLE

$\varnothing 25\text{mm}$ , 960nm x 10nm, MOUNTED  
BANDPASS FILTER

ALL DIMS IN

mm

DWG NO

67863

SHEET  
1 OF 1