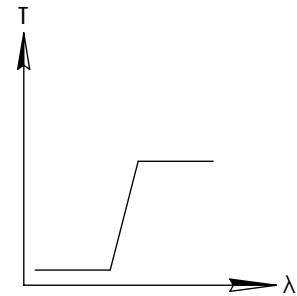
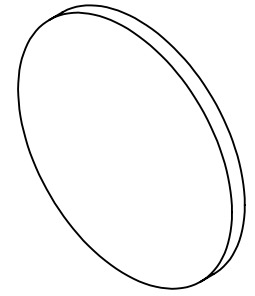
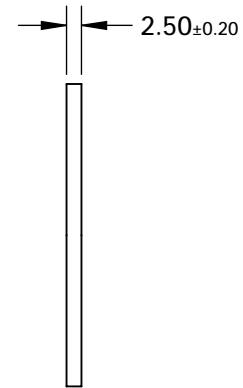
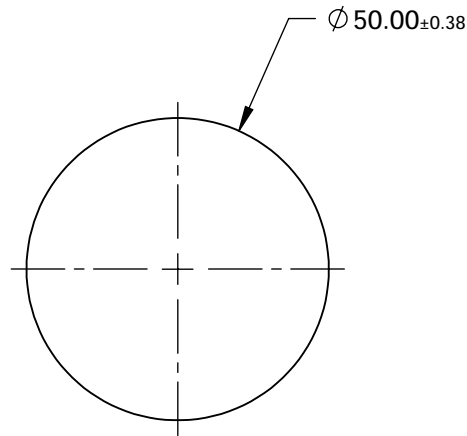


**FOR INFORMATION ONLY:
DO NOT MANUFACTURE
PARTS TO THIS DRAWING**



LONGPASS FILTER



SPECIFICATIONS SUBJECT TO CHANGE WITHOUT NOTICE
DIMENSIONS ARE FOR REFERENCE ONLY

REV. A	VALUE
SHAPE	PLANO
SPECTRAL TRANSMITTANCE t_p (%)	96
PASSBAND LIMIT $1 \lambda_{p1}$ (nm)	850
CUT-OFF POSITION λ_c (nm)	800±9
STOPBAND LIMIT λ_s (nm)	740
WAVELENGTH	IR
BEVEL	PROTECTIVE AS NEEDED



ALL DIMS IN

mm

TITLE

Ø50mm, HOYA IR-80 LONGPASS FILTER

DWG NO

66105

SHEET
1 OF 1