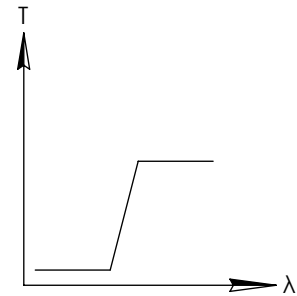
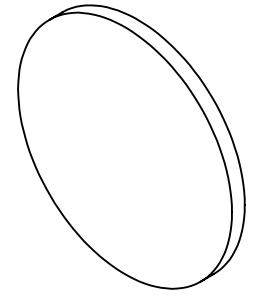
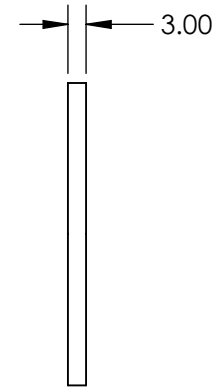
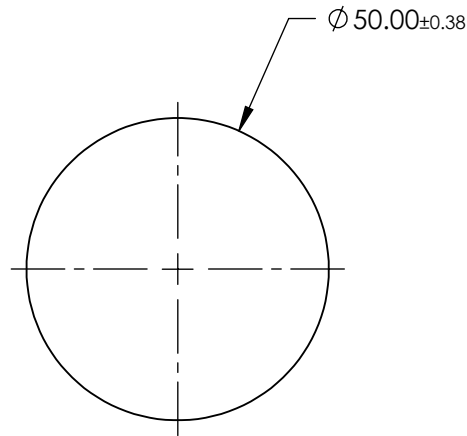


**FOR INFORMATION ONLY:  
DO NOT MANUFACTURE  
PARTS TO THIS DRAWING**



LONGPASS FILTER



SPECIFICATIONS SUBJECT TO CHANGE WITHOUT NOTICE  
DIMENSIONS ARE FOR REFERENCE ONLY

REV. A	VALUE
SHAPE	PLANO
SPECTRAL TRANSMITTANCE $t_p(\%)$	94
PASSBAND LIMIT $\lambda_{p1}$ (nm)	720
CUT-OFF POSITION $\lambda_c$ (nm)	645±6
STOPBAND LIMIT $\lambda_s$ (nm)	560
WAVELENGTH	VIS
BEVEL	PROTECTIVE AS NEEDED



ALL DIMS IN

mm

TITLE

Ø50mm, SCHOTT RG-645 LONGPASS FILTER

DWG NO

66097

SHEET  
1 OF 1