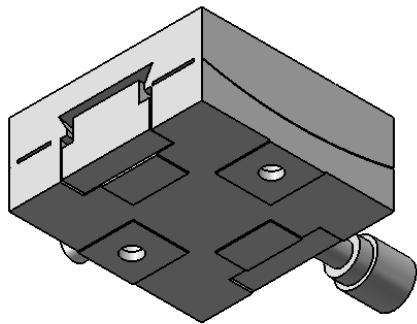
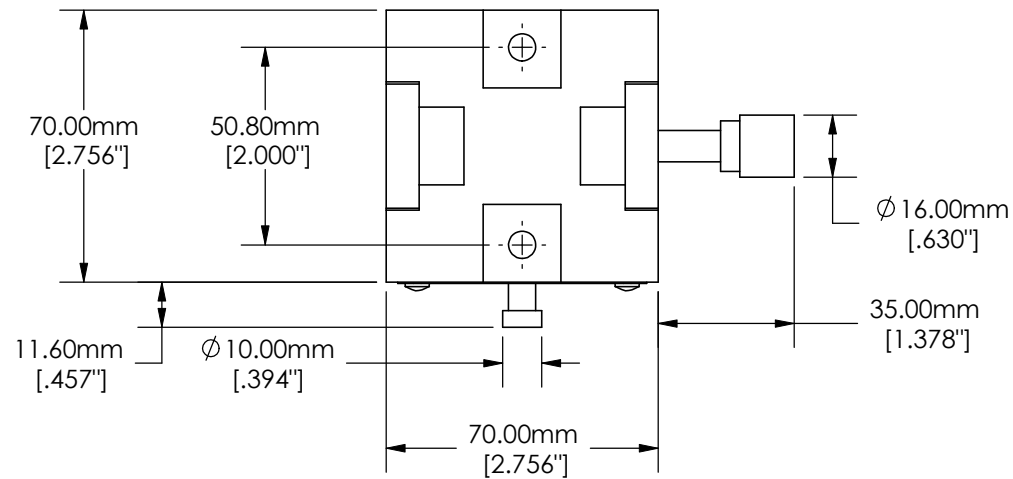
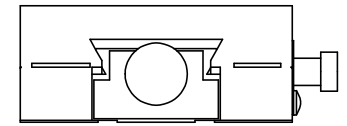
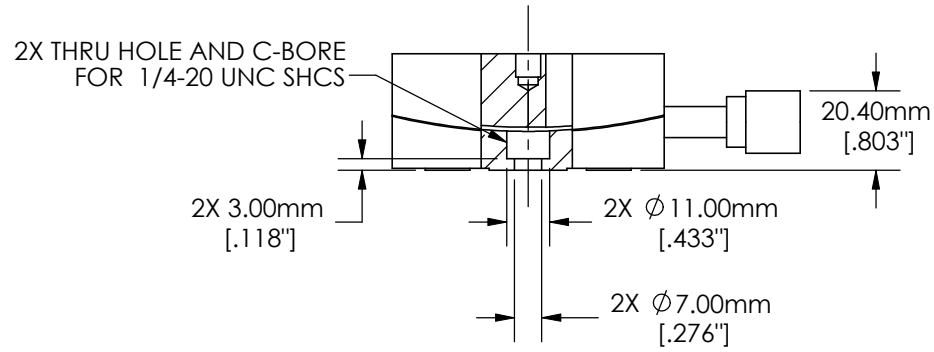
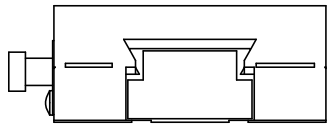


SPECIFICATIONS SUBJECT TO CHANGE WITHOUT NOTICE  
 DIMENSIONS ARE FOR REFERENCE ONLY

 <b>Edmund Optics®</b>			
TITLE	70mm English Goniometer, 150mm Radius		
DWG NO	66533	SHEET 1 OF 2	REV 000



SPECIFICATIONS SUBJECT TO CHANGE WITHOUT NOTICE  
DIMENSIONS ARE FOR REFERENCE ONLY

**EO**® Edmund Optics®

TITLE	70mm English Goniometer, 150mm Radius		
DWG NO	66533	SHEET 2 OF 2	REV 000

Enable 3D View