

NOTES:

1. SUBSTRATE:  
ELEMENT A: N-BAF10 670/472  
ELEMENT B: N-SF10 728/284
2. ROHS COMPLIANT
3. CENTERING TOLERANCE (AT 587.6nm):  
BEAM DEVIATION (HALF ANGLE): <1 ARCMIN
4. COATING (APPLY ACROSS COATING APERTURE)  
S1 & S4: VIS 0°  
R(AVG) ≤ 0.4% FROM 425 - 675nm @ 0° AOI  
S2 & S3: NONE

△ FINE GRIND SURFACE

6. POWER, IRREGULARITY, AND SURFACE QUALITY SPECIFICATIONS APPLY ACROSS CLEAR APERTURE

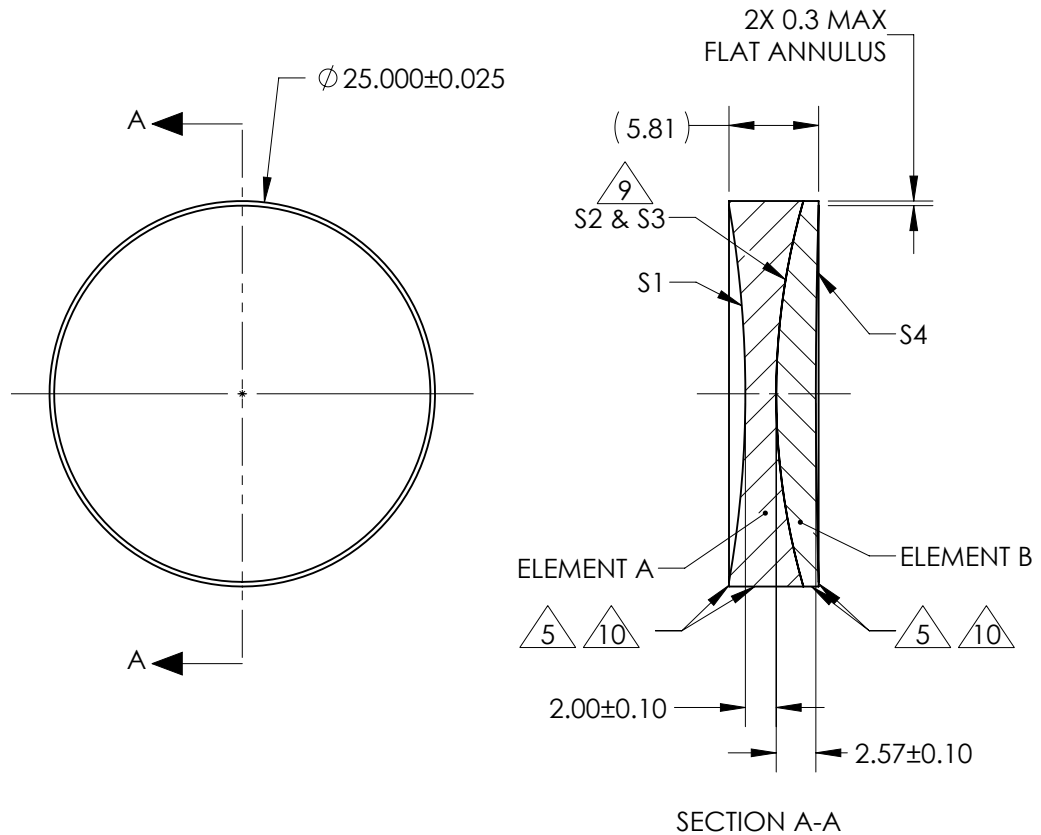
7. FOCAL LENGTH (EFL): -100.00mm±1%  
BACK FOCAL LENGTH (BFL): -102.37mm

8. PROTECTIVE BEVEL AS NEEDED

9. DESIGN WAVELENGTH: 587.6nm

△ 9 ELEMENTS TO BE CEMENTED WITH NORLAND OPTICAL ADHESIVE NOA61

△ 10 BLACKENED SURFACE

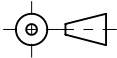


**FOR INFORMATION ONLY:  
DO NOT MANUFACTURE  
PARTS TO THIS DRAWING**

| ELEMENT TITLE           | SPECIFICATIONS AFTER CEMENTING |            |            |            |
|-------------------------|--------------------------------|------------|------------|------------|
|                         | ELEMENT A                      |            | ELEMENT B  |            |
| SURFACE                 | S1                             | S2         | S3         | S4         |
| SHAPE                   | CONCAVE                        | CONCAVE    | CONVEX     | CONCAVE    |
| RADIUS                  | 70.57                          | 45.27      | 45.27      | 412.67     |
| SURFACE QUALITY         | 40 - 20                        | 40 - 20    | 40 - 20    | 40 - 20    |
| MIN CLEAR APERTURE      | ∅ 24.00                        | ∅ 24.00    | ∅ 24.00    | ∅ 24.00    |
| MIN COATING APERTURE    | ∅ 24.00                        | N/A        | N/A        | ∅ 24.00    |
| POWER AT 632.8nm        | 3.00 RINGS                     | 3.00 RINGS | 3.00 RINGS | 3.00 RINGS |
| IRREGULARITY AT 632.8nm | 0.50 RINGS                     | 0.50 RINGS | 0.50 RINGS | 0.50 RINGS |

SPECIFICATIONS SUBJECT TO CHANGE WITHOUT NOTICE  
DIMENSIONS ARE FOR REFERENCE ONLY

**EO**® Edmund Optics®

THIRD ANGLE PROJECTION   
ALL DIMS IN mm

|        |  |              |
|--------|--|--------------|
| TITLE  | 25mm Dia x -100mm FL VIS 0, Inked,<br>Negative Achromatic Lens |              |
| DWG NO | 62494INK   | SHEET 1 OF 1 |